

# 12

## MECHANICAL DATA

### 12.1 MC68HC05B family pin configurations

#### 12.1.1 52-pin plastic leaded chip carrier (PLCC)

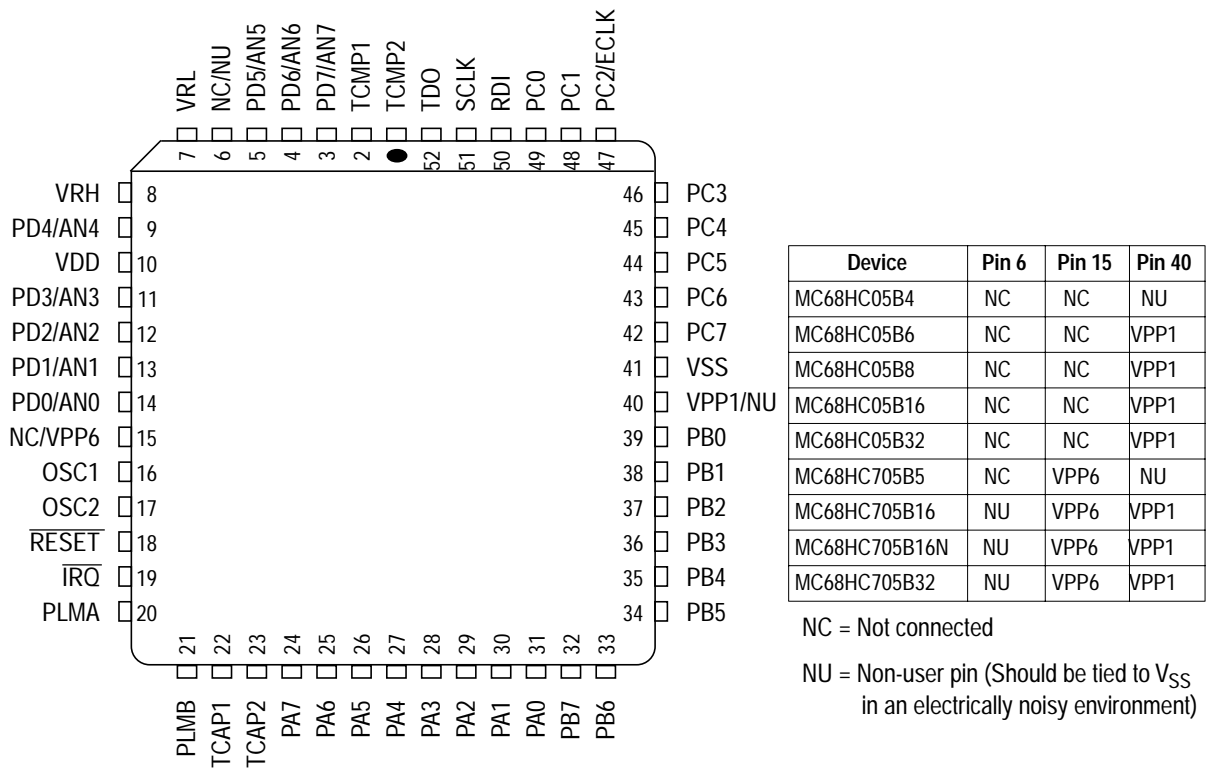
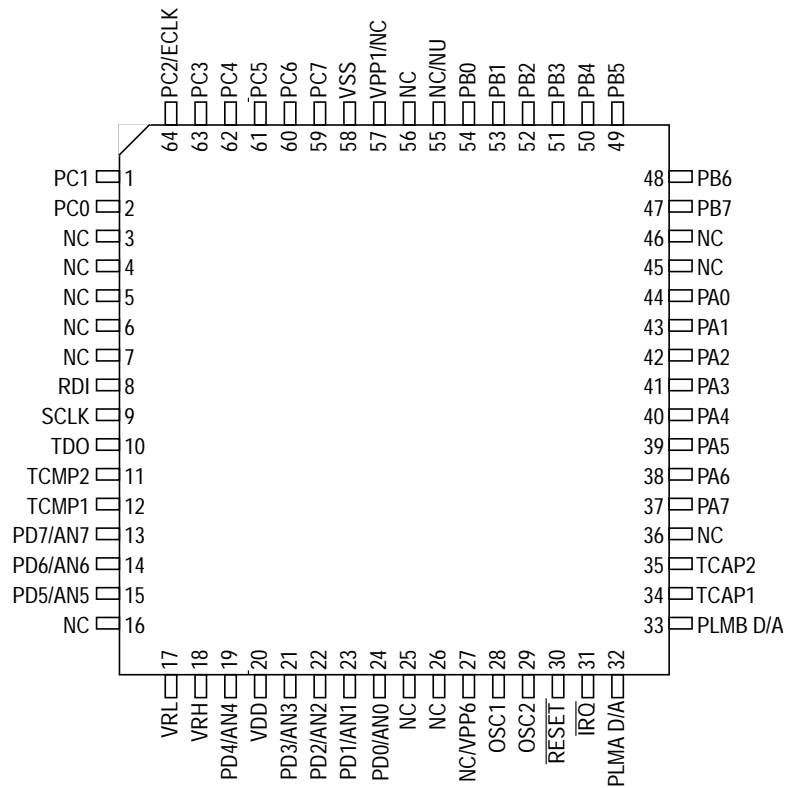


Figure 12-1 52-pin PLCC pinout for the MC68HC05B6

## 12.1.2 64-pin quad flat pack (QFP)



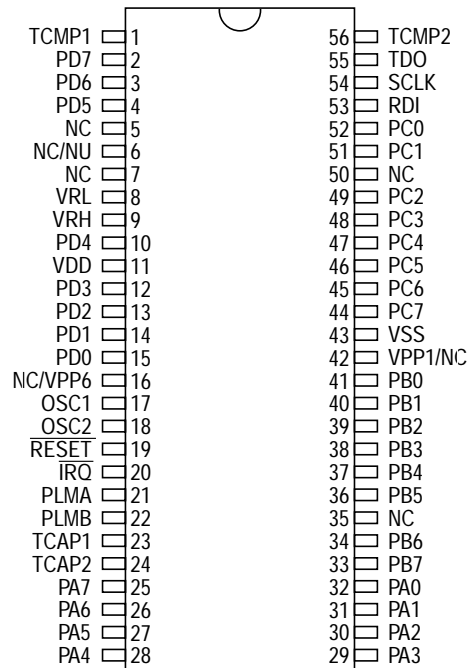
Device	Pin 27	Pin 55	Pin 57
MC68HC05B4	NC	NC	NC
MC68HC05B6	NC	NC	VPP1
MC68HC05B8			
MC68HC05B16			
MC68HC05B32			
MC68HC705B5	Not available in this package		
MC68HC705B16	VPP6	NU	VPP1
MC68HC705B16N	VPP6	NU	VPP1
MC68HC705B32	VPP6	NC	VPP1

NC = Not connected

NU = Non-user pin (Should be tied to  $V_{SS}$  in an electrically noisy environment)

**Figure 12-2** 64-pin QFP pinout for the MC68HC05B6

### 12.1.3 56-pin shrink dual in line package (SDIP)



Device	Pin 6	Pin 16	Pin 42
MC68HC05B4	NC	NC	NC
MC68HC05B6	NC	NC	VPP1
MC68HC05B8	NC	NC	VPP1
MC68HC05B16	NC	NC	VPP1
MC68HC05B32	NC	NC	VPP1
MC68HC705B5	NC	VPP6	NC
MC68HC705B16	Not available in this package		
MC68HC705B16N	Contact Sales		
MC68HC705B32	NU	VPP6	VPP1

NC = Not connected

NU = Non-user pin (Should be tied to  $V_{SS}$  in an electrically noisy environment)

**Figure 12-3** 56-pin SDIP pinout for the MC68HC05B6