

Figure 1-3. 40-Pin PDIP Pin Assignments

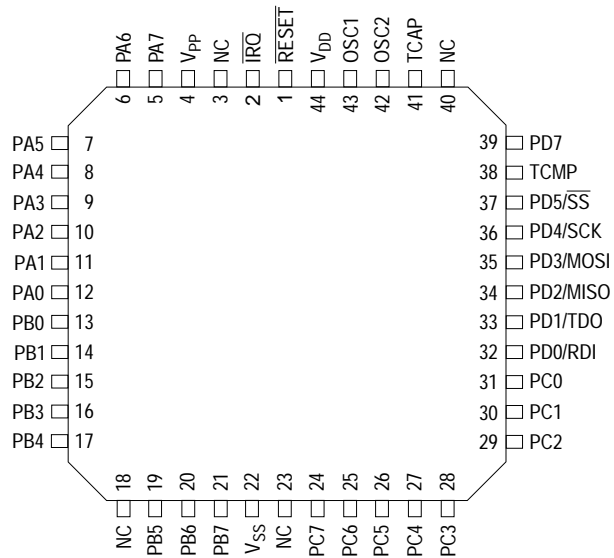


Figure 1-4. 44-Lead PLCC Pin Assignments

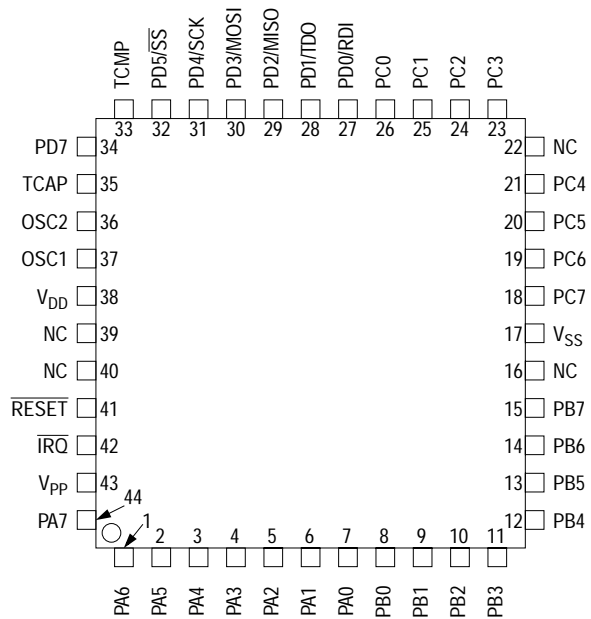


Figure 1-5. 44-Pin QFP Pin Assignments

General Description

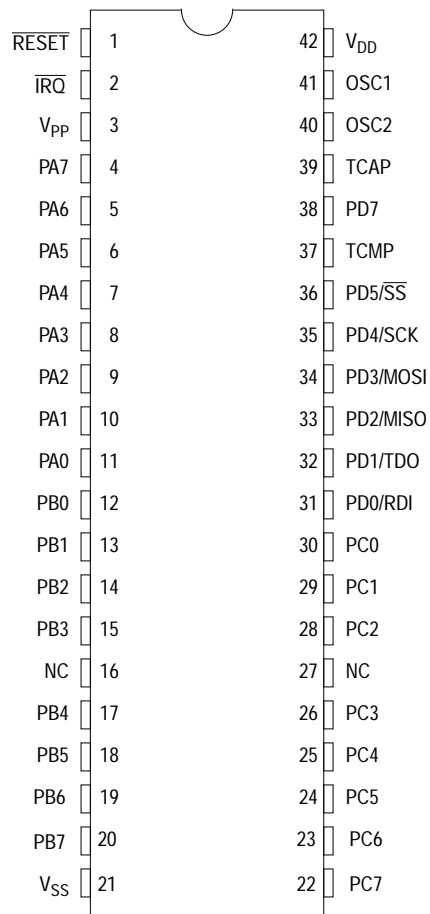


Figure 1-6. 42-Pin SDIP Pin Assignments